

Ref. : CBL 3240.pas

Rev. : R

Date : 23/05/2014

Page : 1/1

FLANGED BALL CHECK VALVE

CBL 3240



APPLICATION

General uses: waste water, sticky fluids, raising water (purification, water treatment, pumping...)

GENERAL CHARACTERISTICS

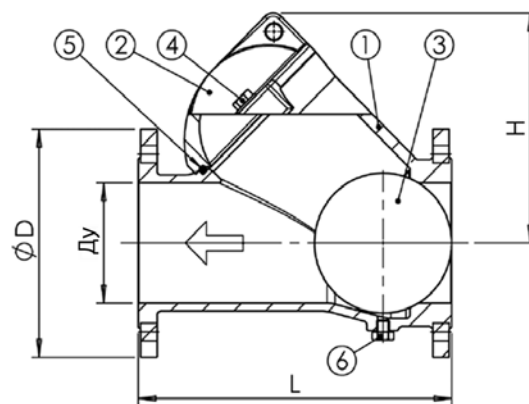
Design in accordance with standard NF EN 12334.
 Range: From DN 40 to DN 600.
 Tight and working in horizontal or vertical position.
 Low head loss.
 Full bore thanks to the moving of the ball.
 Self-cleaning ball.
 Lifting hook in the cover for easy handling.
 Easy and quick disassembling cover.
 Cap allowing the takeoff of the ball.
 Body: oven baked epoxy 150 µm, RAL 5019.



CONSTRUCTION

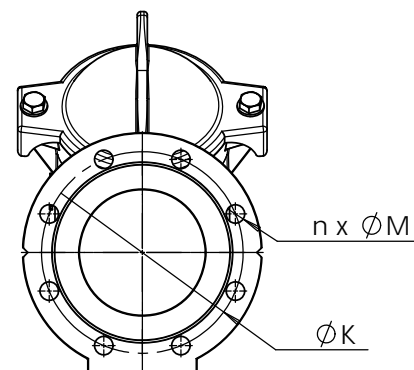
6	1	Degassing plug	Stainless steel	Only for DN 40-400
5	1	Gasket	Nitril	
4	2/4	Nut	Stainless steel	
3	1	Ball	Nitril coated steel	
2	1	Bonnet	Ductile iron EN-GJS-400-15	DIN: GGG 40 ASTM: A536 65-45-12 BS: 1563 EN-JS 1030
1	1	Body	Ductile iron EN-GJS-400-15	DIN: GGG 40 ASTM: A536 65-45-12 BS: 1563 EN-JS 1030
Rep.	Nb.	Description	Material	

View B



DIMENSIONS

DN		L	H	Ø D	Ø K	n x Ø M	O Ring Ø int. x Ø torus	Minimum opening pressure (mbar)	Weight (kg)
40	1 1/2"	180	113	150	110	4 x Ø19	Ø59,7 x Ø5,3	6,9	6,00
50	2"	200	145	165	125	4 x Ø18,5	Ø68,4 x Ø5,3	12,6	9,45
65	2 1/2"	240	169	185	145	4 x Ø18,5	Ø105,4 x Ø5,3	20,5	14,0
80	3"	260	169	200	160	8 x Ø18,5	Ø105,4 x Ø5,3	12,0	15,1
100	4"	300	211	220	180	8 x Ø18	Ø133,6 x Ø5,7	16,0	22,7
125	5"	350	275	250	210	8 x Ø18	Ø188,6 x Ø5,7	41,6	38,1
150	6"	400	294	285	240	8 x Ø22	Ø188,6 x Ø5,7	25,7	47,8
200	8"	500	395	340	295	8 x Ø22	Ø257,8 x Ø8,6	26,7	91
250	10"	600	482	400	350	12 x Ø22	Ø317,8 x Ø8,6	32,5	144
300	12"	700	573	455	400	12 x Ø22	Ø382,8 x Ø8,6	35,7	222
350	14"	800	654	505	460	16 x Ø23	Ø455 x Ø10	54,2	367
400	16"	900	781	565	515	16 x Ø26	Ø530 x Ø10	64,0	499
500	20"	1100	880	670	620	20 x Ø27	-	-	580
600	24"	1300	1030	780	725	20 x Ø30	-	-	1080



Following view B

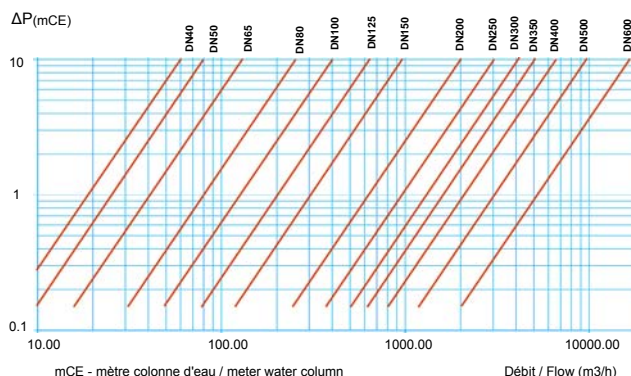
WORKING CONDITIONS

Maximum working pressure: 10 bar.
 Maximum temperature: -10°C / +80°C.
 Warning: On request for low load.

Pressure test according to standards EN 12266-1, DIN 3230, BS 6755 and ISO 5208 :
 Body : 15 bar.
 Seat : 11 bar.

STANDARDS

Manufacture according to the requirements of the European directive 97/23/CE «Equipment under pressure»
 Modulate H. (DN 40-400)
 Face to face according to standards NF EN 558-1 serie 48, DIN 3202/1 serie F6. Standard mounting flanges according to EN 1092-2 ISO PN 10, PN 16 and ASA 150 lbs on request.



TECOFI France - 83, Rue Marcel Mérieux 69960 Corbas - FRANCE
 Tél. +33 (0) 4 72 79 05 79 - Fax +33 (0) 4 78 90 19 19 / +33 (0) 4 72 79 05 70
 Adresses e-mail : sales@tecofi.fr / Site web : www.tecofi.fr